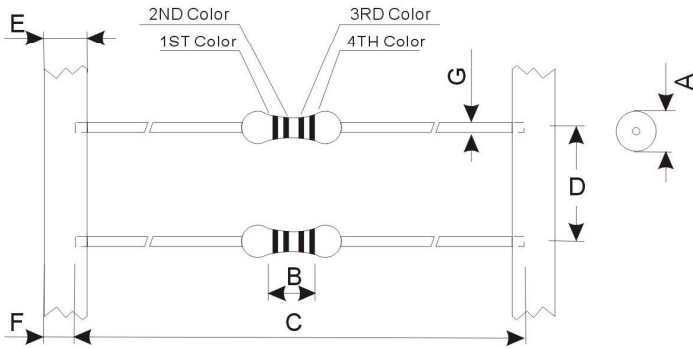
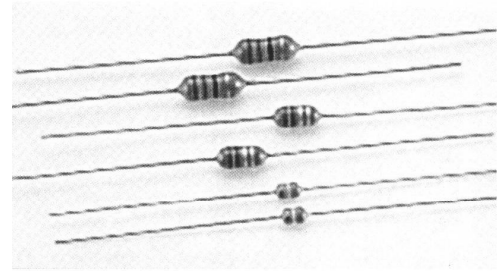


Axial Color Inductor Series



C Series: Axial Color Series (色碼電感器)

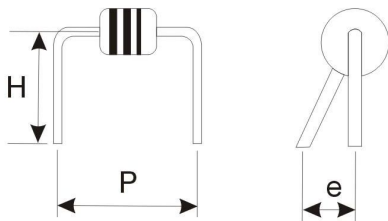
Configuration & Dimensions: (mm)



Dimensions in mm

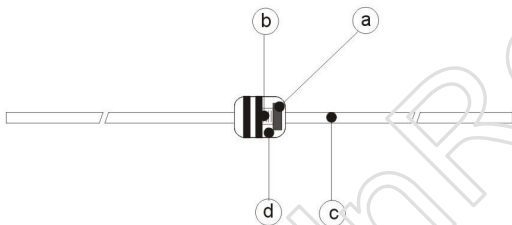
	C0204	C0307	C0410	C0512
A	2.3 ⁺⁰	3 ⁺⁰	4 ⁺⁰	4.5 ⁺⁰
B	4 ⁺⁰	7 ⁺⁰	10.5 ⁺⁰	12 ⁺⁰
C	52.4±1.0 / 62.0±1.0			
D	5±0.5			
E	6±1			
F	3.2 ⁻⁰			
G	0.5 ϕ	0.5 ϕ	0.65 ϕ	

M-Formed:

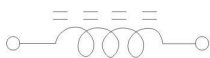


TOLERANCE
MULTIPLIER
SECOND SIGNIFICANT FIGURE
FIRST SIGNIFICANT FIGURE

*C0204, C0307 are use 3 code
*C0307, C0405, C0410, C0512 are use 4 code



Schematic Diagram:



Materials:

- a. Core: ferrite DR core
- b. Wire: Enamelled copper wire
- c. Lead: Tinned CP wire
- d. Coating: Epoxy resin

General Specification:

- a. Temp. rise: 20°C max.
- b. Ambient temp.: 60 max.
- c. operating temp.: -20 -- +80
- d. Terminal tensile strength: 1.0Kg min.
- e. Terminal bending strength: 0.3Kg ming.
- f. Dielectric withstanding voltage : 250Vrms.
- g. Rated current : Base on temp rise.

■ **Color Code:** The Normal Inductance is Marked. By A Color Code As Listed In Table Belo

Color	Normal Inductance (μ H)			Tolerance
	First Figure	Second Figure	Magnification/*	
Black	0		1	±20%
Brown	1		10	-
Red	2		100	-
Orange	3		1000	-
Yellow	4		-	-
Green	5		-	-
Blue	6		-	-
Purple	7		-	-
Gray	8		-	-
White	9		-	-
Gold	-		0.1	±5%
Silver	-		0.01	±10%